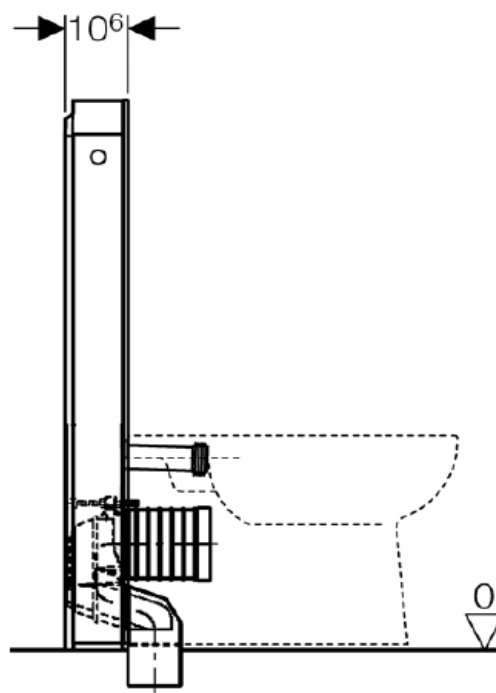
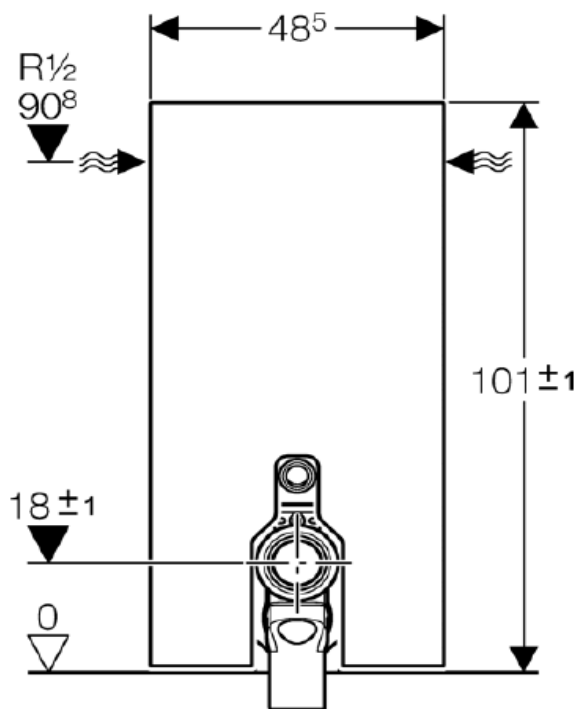


CRIZTO SINGAPORE PTE LTD

10 Tampines North Drive 4 #04-08/09/10/11
 JTC Space @ Tampines North Singapore 528553
 T: +65 6287 5287 | F: +65 6287 9287 | E: sales@crizto.com
 W: www.crizto.com | www.facebook.com/CriztoSingapore



SANITARY WARE SPECIFICATIONS & TECHNICAL DRAWINGS



| | | |
|--|--------------------|-----------------------------------|
| MODEL NO. XG-131.010.SX.X | | SERIES MONOLITH |
| DESCRIPTION GEBERIT MONOLITH FOR FLOOR PAN WC | | |
| DIMENSION | | |
| SCALE | DATE 01-10-2017 | DRAWING NO. XG-131.010.SX.X-01 |