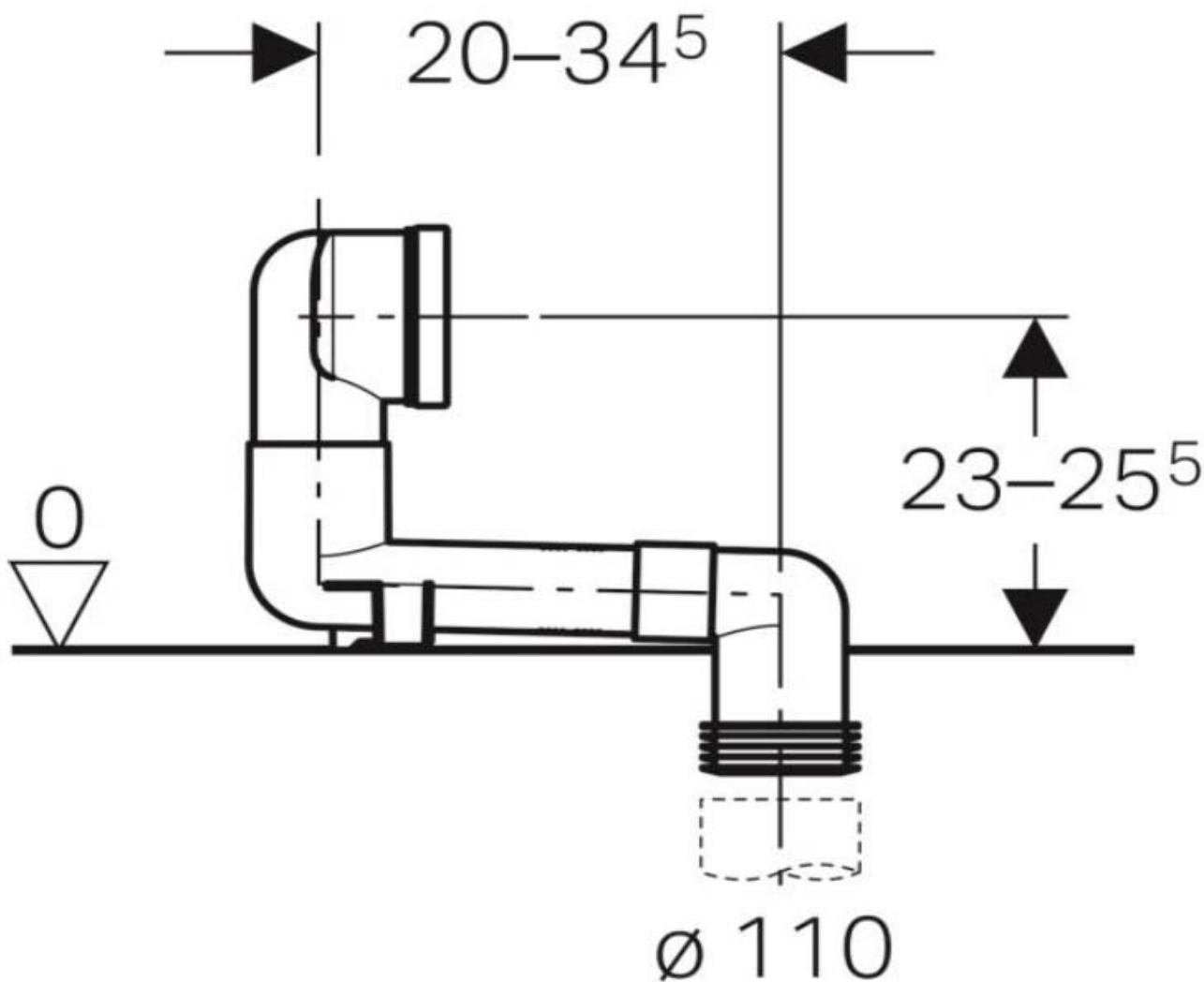



SANITARY WARE SPECIFICATIONS & TECHNICAL DRAWINGS



	MODEL NO. XG-131.089.11.1		SERIES PVC S-BEND	
	DESCRIPTION GEBERIT PVC S-BEND - D90X110 MONOLITH			
	DIMENSION			
	SCALE		DATE 04-01-2019	DRAWING NO. XG-131.089.11.1-01