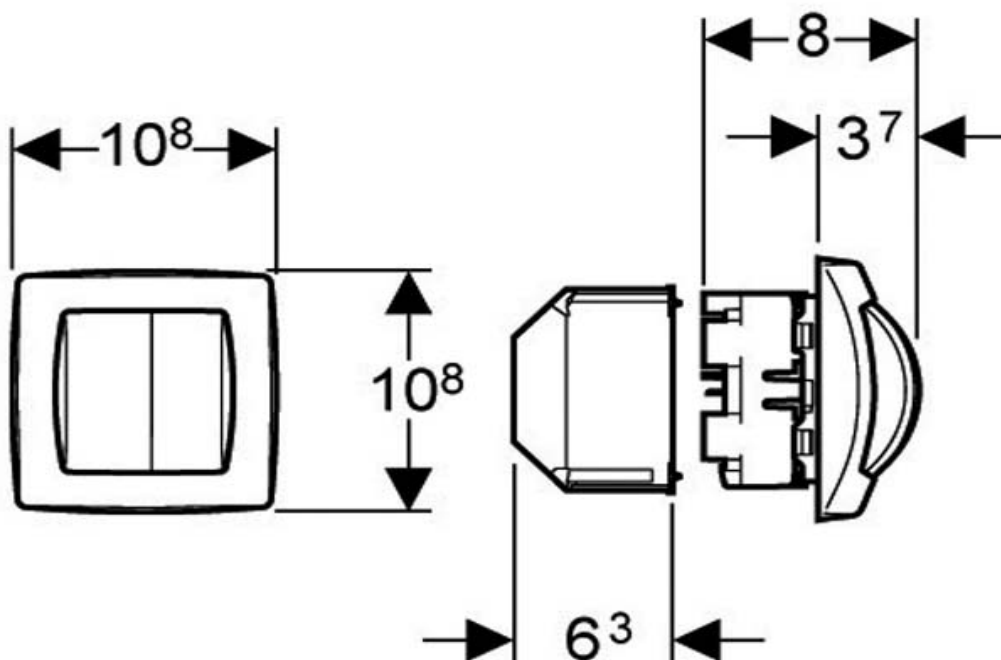


CRIZTO SINGAPORE PTE LTD

10 Tampines North Drive 4 #04-08/09/10/11
 JTC Space @ Tampines North Singapore 528553
 T: +65 6287 5287 | F: +65 6287 9287 | E: sales@crizto.com
 W: www.crizto.com | www.facebook.com/CriztoSingapore



SANITARY WARE SPECIFICATIONS & TECHNICAL DRAWINGS



MODEL NO.	XG-240.572.KA.1		SERIES	HAND DRYER	
DESCRIPTION	PNEUMATIC DUAL FLUSH ACTUATOR - BRIGHT CHROME				
DIMENSION					
SCALE	DATE	DRAWING NO.			
	01-10-2017	XG-240.572.KA.1-01			